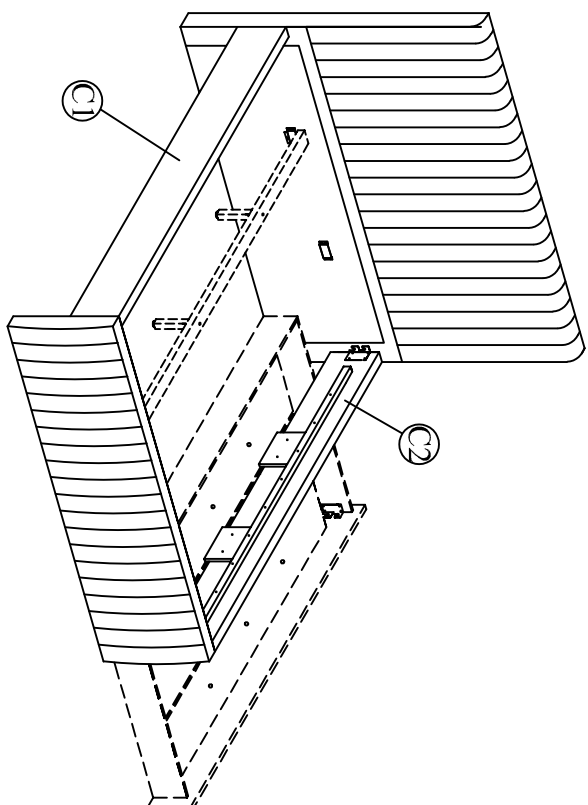
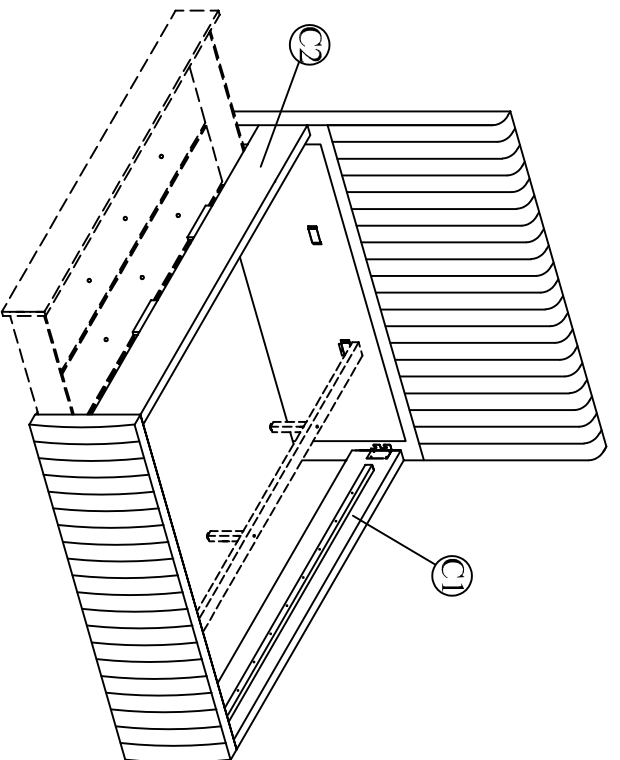


ASSEMBLY INSTRUCTION

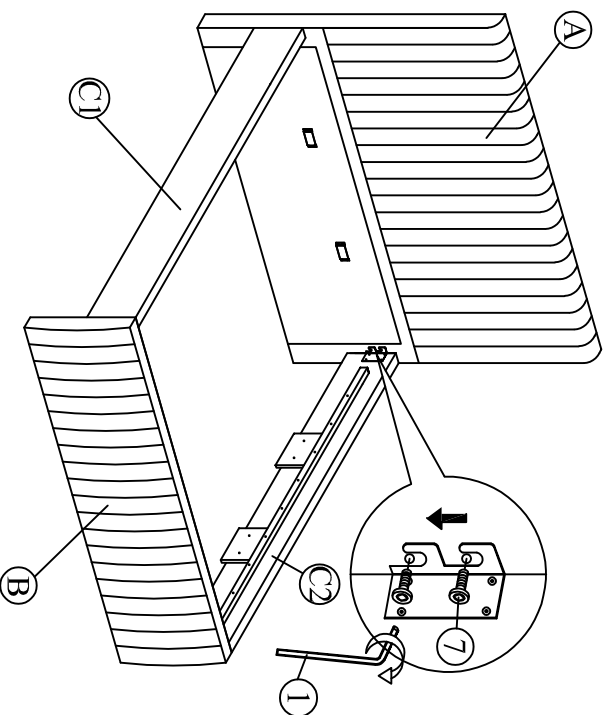
MODEL : CF 9390-B (5)

A	Headboard	1 pc
B	Footboard	1 pc
C	Side Rail C1 C2	2 pcs
D	1537mm 16 Pcs Slat	1 pc
E	Center Rail 2040mm	1 pc
F	Support Leg 313mm	2 pcs
G	972mm Slat 7 pcs	1 pc
H	Trundle Front Panel	1 pc
I	Trundle Back Panel	1 pc
J	Trundle Side Panel	2 pcs
K	Wooden Block	4 pcs
L	MDF Board	3 pcs
Packaging Hardware		
1	M5 x 70mm	1 pc
2	M4 x 65mm	1 pc
3	JCBRC M4 X 40	2 pcs
4	CSK M4 x 25mm	11 pcs
5	CSK M4 x 32mm	55 pcs
6	CSK M4 x 16mm	24 pcs
7	JCBRB M8 X 20	16 pcs
8	Roller	6 pcs
9	Small Adjuster	2 pcs

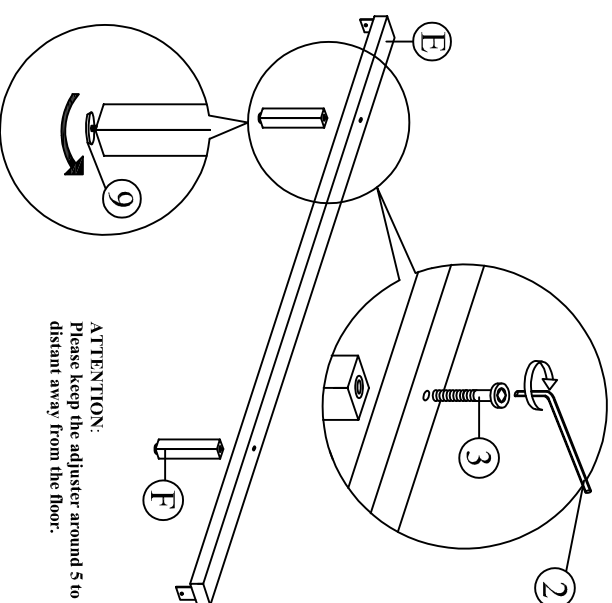
Step 1: The trundle unit is reversible and can be installed on the left or right side according to your individual needs and home space.



Step 2: Attach side rail (C) to footboard (B) and headboard (A) by pushing the bracket down to fit it.

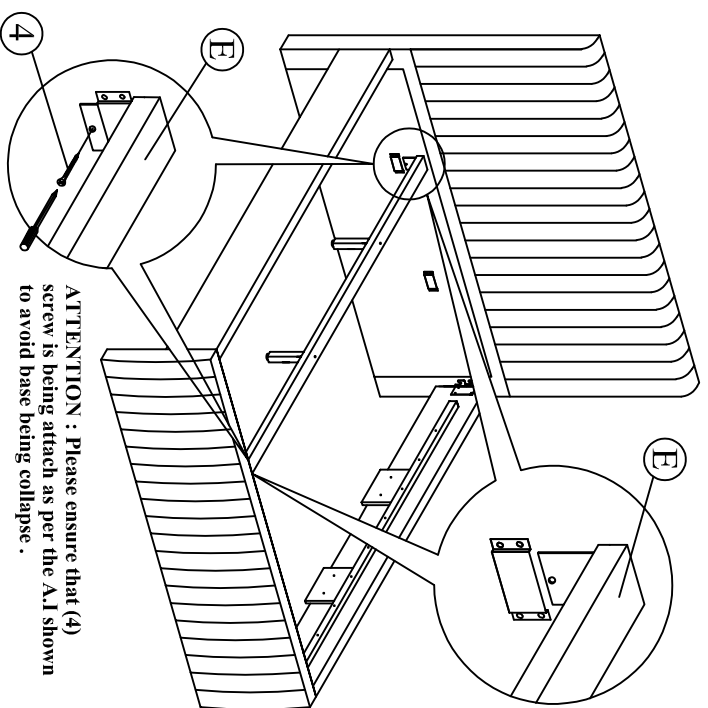


Step 3: Attach the support legs (F) to the center rail (E) of the bed as shown.



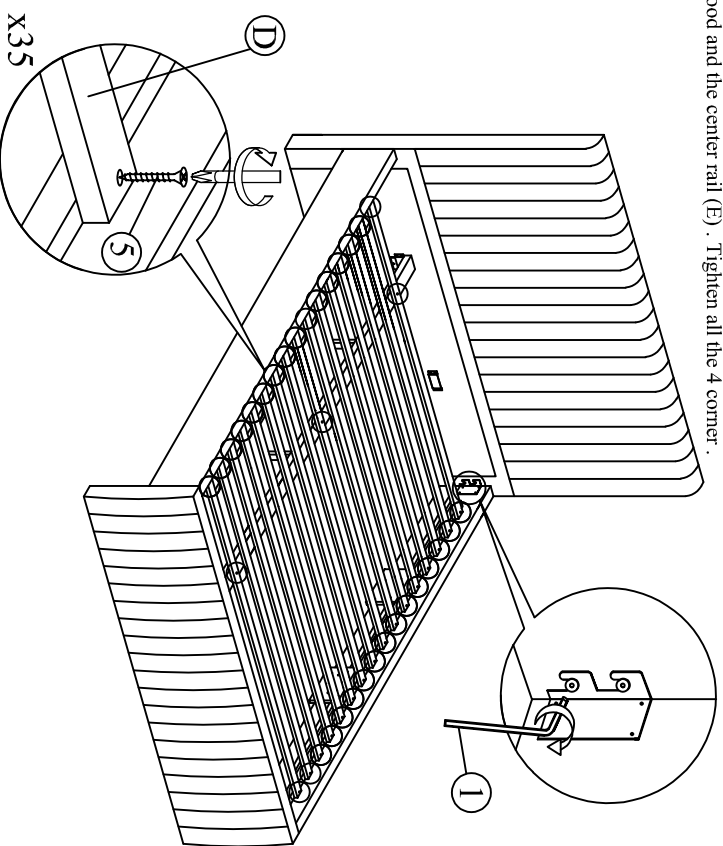
ATTENTION:
Please keep the adjuster around 5 to 8 mm distant away from the floor.

Step 4: Slide the center rail (E) to the headboard (A) and footboard (B). Tighten screws (4) using screw driver (not included) to the headboard (A) and footboard (B).



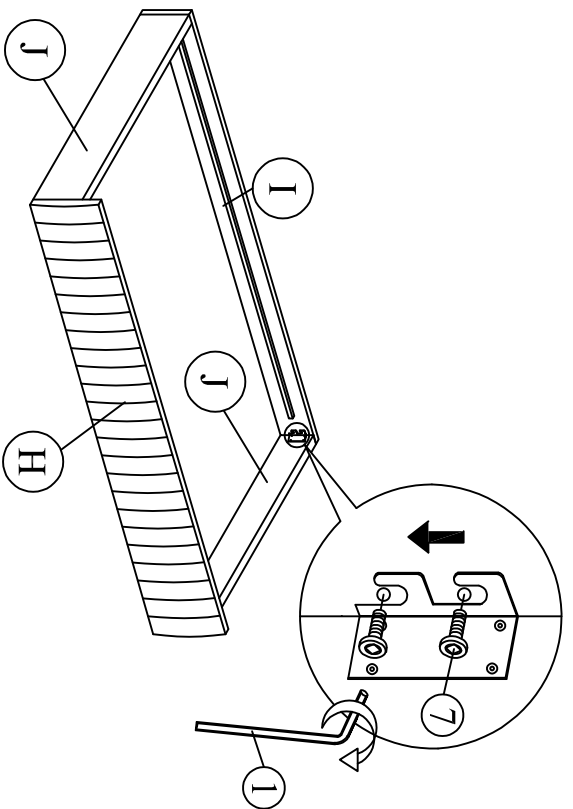
ATTENTION : Please ensure that (4) screw is being attach as per the A.1 shown to avoid base being collapse .

Step 5: Affix the Slat (D) to the side rail support wood and the center rail (E). Tighten all the 4 corner .

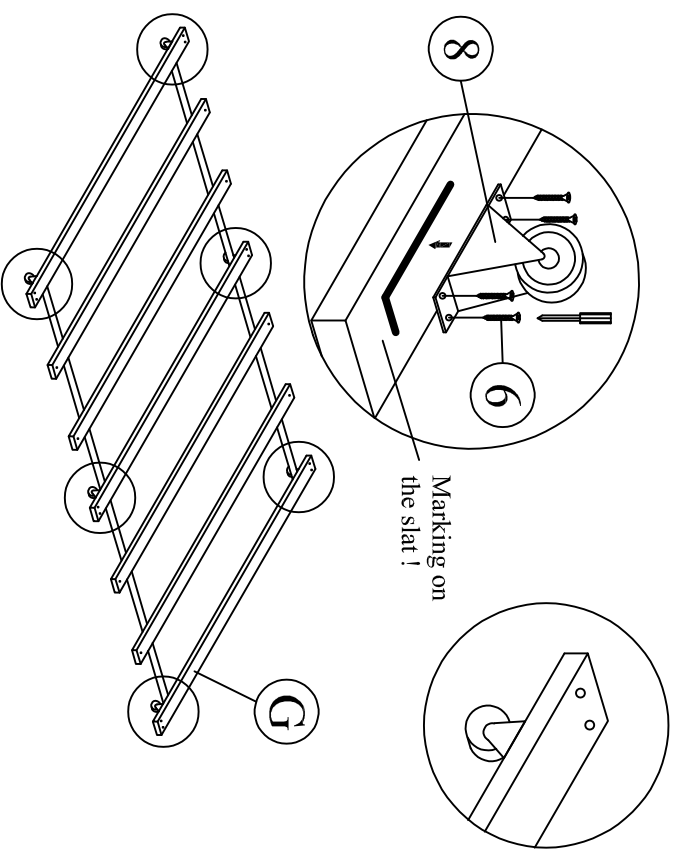


X35

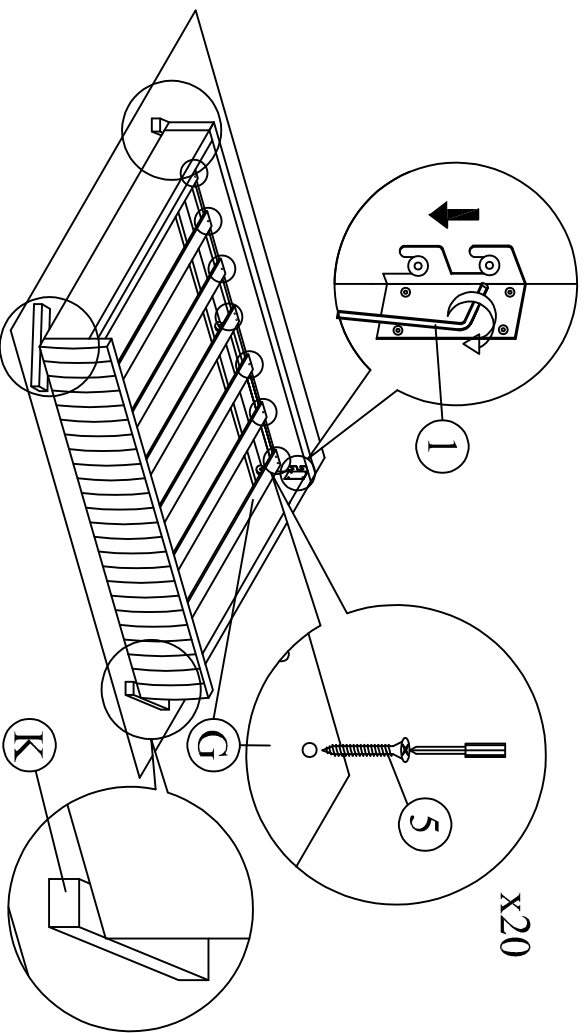
Step 6 : Attach trundle side panel (I) and trundle front panel (H) to trundle back panel (J) by pushing the bracket down to fit it.



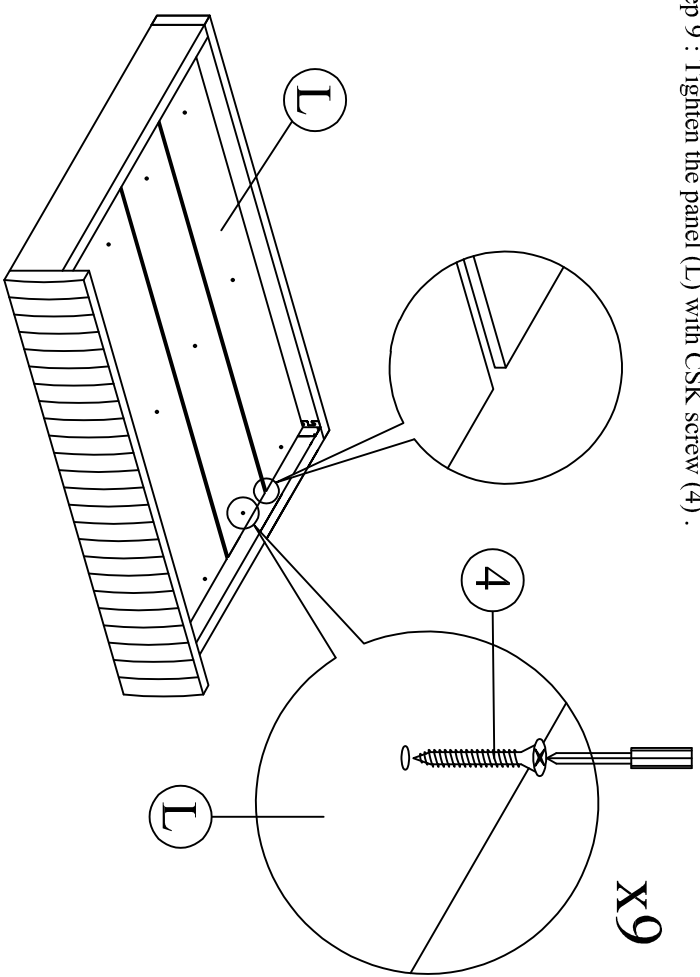
Step 7 : Affix the roller (8) to the slat (G) follow the marking on the slat (G).



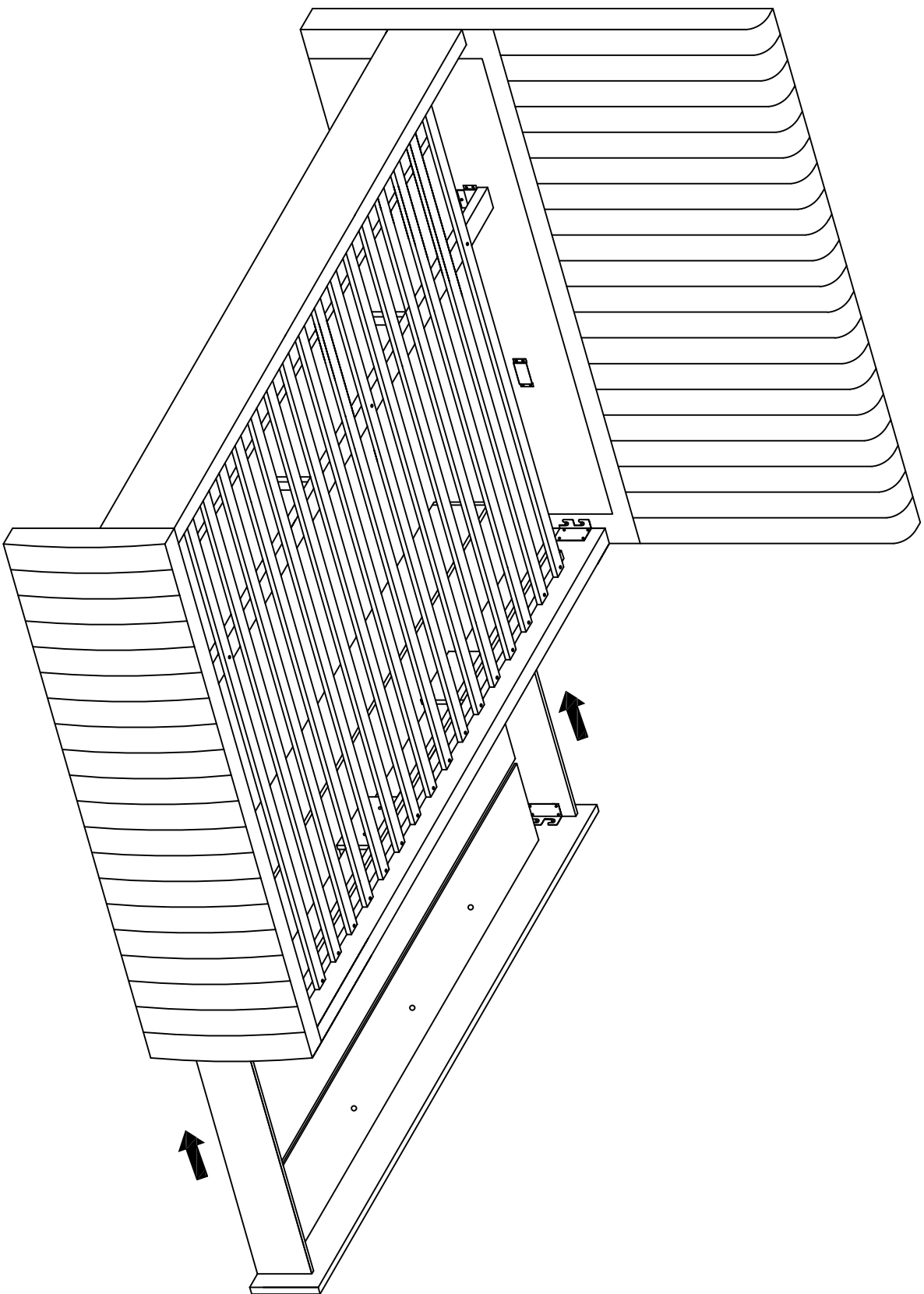
Step 8 : Tighten the 4 Corner with Allen Key (1) . Place the wooden blocks (K) at the corner of the trundle and fix the slat (G) to the trundle at (H) & (I).



Step 9 : Tighten the panel (L) with CSK screw (4) .



Step 10 : Assembly is complete.



Important Information

Please note that the recommended process for adjusting centre legs when assembling your bed.

Before placing the mattress on the base, please ensure that the **SUPPORT LEGS ARE NOT QUITE TOUCHING THE FLOOR**. When the bed is then in use the support legs will sit firmly on the solid surface.

PLEASE ENSURE THAT THE LEGS ARE VERTICAL.

DUE TO THE NATURE OF LAMINATE / WOODEN FLOORING WE RECOMMEND THAT YOU PLACE A SMALL PIECE OF NON SLIP MATERIAL UNDER THE LEGS WHICH WILL GIVE YOU THE FLEXIBILITY THE ADJUSTERS NEED.

When moving the bed it is essential that it is **LIFTED** into the new position. **NEVER DRAG** the bed as this will move the legs from the vertical position thus weakening the support of the centre rail.

Adhering to the recommended process should ensure that your bed gives you years of trouble free service.